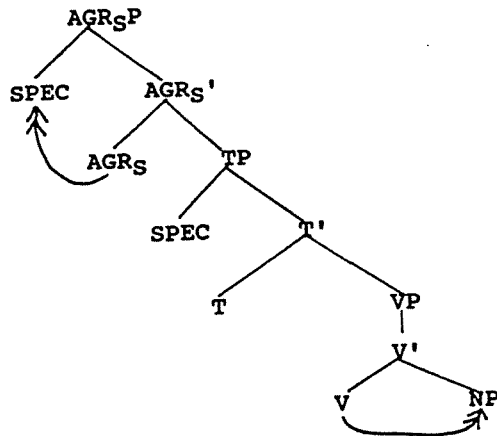


UMass, Amherst 12/11/92

Government, Case, and the Distribution of PRO
 Howard Lasnik
 University of Connecticut

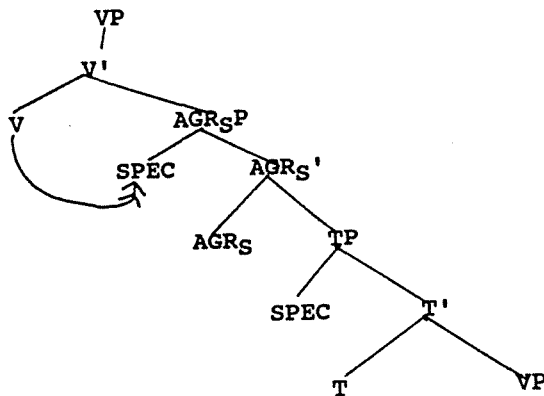
(1) John saw Mary

(2)

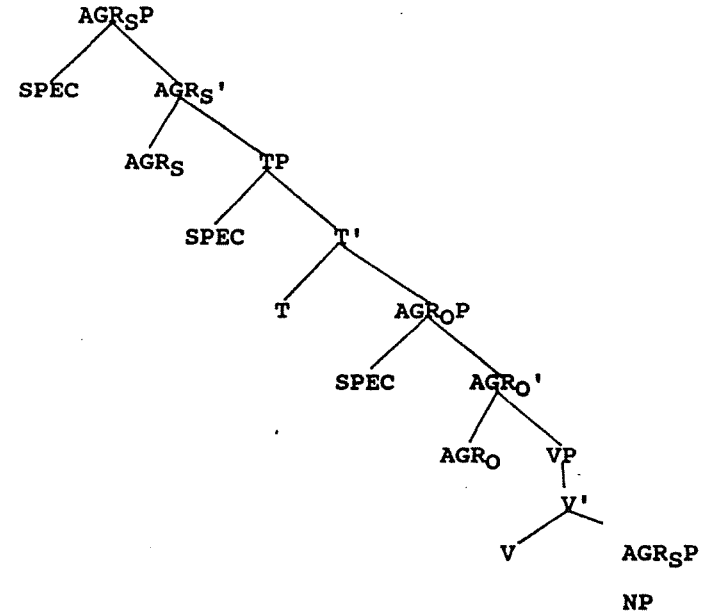


(3) John believes Mary to be intelligent

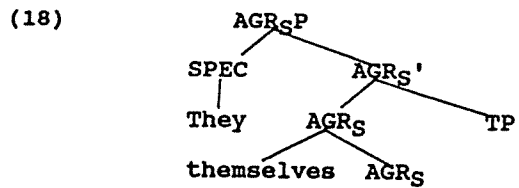
(3')



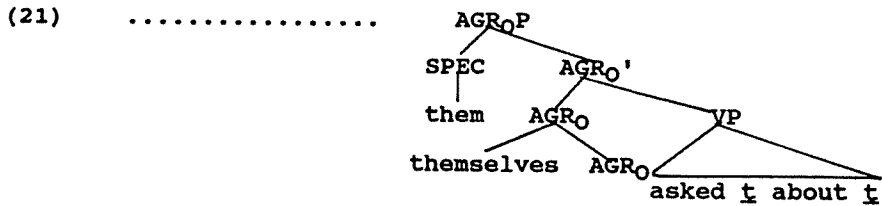
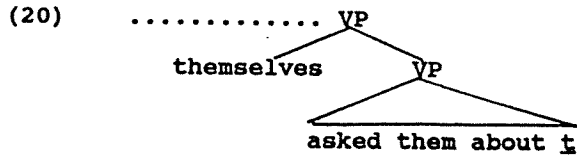
(4)



- (5) ?The DA proved [the defendants to be guilty] during each other's trials
- (6) ?The DA accused the defendants during each other's trials
- (7) ?*The DA proved [that the defendants were guilty] during each other's trials
- (8) No one saw anything
- (9) *Anyone saw nothing
- (10) The DA accused none of the defendants during any of the trials
- (11) ?The DA proved [none of the defendants to be guilty] during any of the trials
- (12) ?*The DA proved [that none of the defendants were guilty] during any of the trials
- (13) *He_i thinks Bob_i is a genius
- (14) Condition C: An R-expression must be (A-)free.
- (15) Joan believes [he_i is a genius] even more fervently than Bob_i does
- (16) *Joan believes [him_i to be a genius] even more fervently than Bob_i does
- (17) They injured themselves

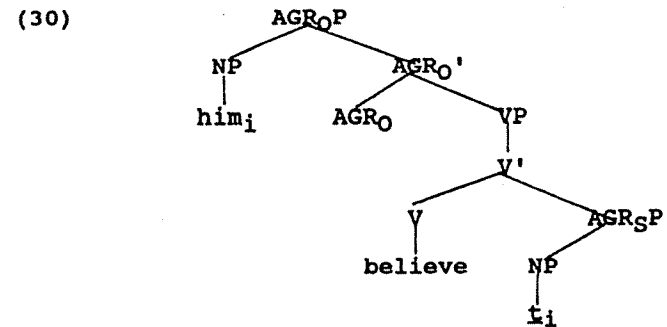


(19) I asked them about themselves



(22) If Case is checked (only) in SPEC-head configurations with appropriate functional heads, what is the role of the notion 'government' in the theory?

- (23) A. An anaphor must be bound in its governing category.
 B. A pronominal must be free in its governing category.
- (24) The governing category for α is the minimal XP containing α , a governor of α , and ...
- (25) *John believes himself is clever
- (26) John himself believes [t is clever]
- (27) Might all Condition A effects reduce to constraints on the (LF) movement of an anaphor?
- (28) *John_i believes [him_i to be clever]
- (29) If government is not relevant to the characterization of governing category, what makes the governing category of him in (28) the matrix clause?



- (31) PRO must be ungoverned.
- (32) PRO must be un-Case-marked.
- (33) *It was arrested PRO
- (34) *I believe [PRO to be clever]
- (35) *My belief [PRO to be clever]
- (36) PRO must be the subject of (certain) non-finite clauses.
- (37) PRO must be Case-marked (with 'null' Case.)
- (38) John is believed [t to be noisy]
- (39) *John is preferred [t to be noisy]
- (40) John is likely [t to be noisy]
- (41) *John is illegal [t to be noisy]
- (42) John is believed [IP t to be noisy]
- (43) *John is preferred [CP [IP t to be noisy]]
- (44) [CP Who will [IP you see t]]
- (45) *John seems [t is crazy]
- (46) *John seems to t [that Mary is crazy]
 cf. It seems to John that Mary is crazy
- (47) *John strikes t [that Mary is crazy]
 cf. It strikes John that Mary is crazy
- (47') *He strikes that Mary is crazy
- (48) *I believe [him to seem [t is crazy]]
- (49) It is rare for it to strike John that Mary is crazy
- (50) *It is rare for John to strike t that Mary is crazy
- (51) It is rare for it to seem to John that Mary is crazy
- (52) *It is rare for John to seem to t that Mary is crazy
- (53) *It is rare PRO to strike t that Mary is crazy
- (54) *It is rare PRO to seem to t that Mary is crazy
- (55) ...and [fix the car], he tried [PRO to t]
- (56) *...and [know the answer], I believe [Bill to t]
- (57) ?...and [know the answer], I want [Bill to t]
- (58) John tried to be courageous, and Mary tried to also
- (59) I want John to be courageous, and I want Mary to also

- (60) ?*I believe John to be courageous, and I believe Mary to also
- (61) ?*John is believed to be courageous, and Mary is believed to also
- (62) ?John is likely to be courageous, and Mary is likely to also
- (63) John said he was likely to solve the problem, and he is likely to
- (64) *John said there was likely to be a solution, and there is likely to
- (65) How likely to solve the problem is John
- (66) *How likely to be a solution is there
- (66') *[How likely [t to be a solution]] is there
- (67) I tried very hard [PRO to leave]
- (68) John told Mary_i [PRO_i to leave]
- (69) John told Mary_i about herself_i
- (70) *John_j told Mary [PRO_j to leave]
- (71) John_j told Mary about himself_j
- (72) Jan_i opowiadał Marii_j o swoim_i ojcu
John telling Mary about self's father
(John was telling Mary about his father)
- (73) *Jan_i opowiadał Marii_j o swoim_j ojcu
John telling Mary about self's father
(John was telling Mary about her father)
- (74) Jan_i kazał Marii_j [PRO_j/*_i napisać artykuł]
John told Mary write article
(John told Mary to write an article)

References

- Aoun, J. and D. Sportiche (1983) "On the Formal Theory of Government," The Linguistic Review 2:211-236.
- Bach, E. (1977) Review Article of P. Postal, On Raising: One Rule of English Grammar and its Theoretical Implications, Language 53:621-654.
- Battistella, E. (1985) "On the Distribution of PRO in Chinese," Natural Language and Linguistic Theory 3:317-340.
- Bouchard, D. (1984) On the Content of Empty Categories, Foris.
- Bresnan, J. (1972) Theory of Complementation in English Syntax, MIT Ph.D. diss.
- Chomsky, N. (1973) "Conditions on Transformations," in S.R. Anderson and P. Kiparsky, eds., A Festschrift for Morris Halle, Holt, Rinehart and Winston.
- Chomsky, N. (1981) Lectures on Government and Binding, Foris.
- Chomsky, N. (1986) Barriers, MIT Press.
- Chomsky, N. (1986) Knowledge of Language: Its Nature, Origin, and Use, Praeger.
- Chomsky, N. (1991) "Some Notes on Economy of Derivation and Representation," in R. Freidin, ed., Principles and Parameters in Comparative Grammar, MIT Press.
- Chomsky, N. (1992) "A Minimalist Program for Linguistic Theory," MIT Occasional Papers in Linguistics Number 1.

- Chomsky, N. and H. Lasnik (in press) "Principles and Parameters Theory," in J. Jacobs et. al., eds., Syntax: An International Handbook of Contemporary Research, Walter de Gruyter.
- Huang, C.-T.J. (1983) "A Note on the Binding Theory," Linguistic Inquiry 14:554-561.
- Johnson, K. (1991) "Object Positions," Natural Language and Linguistic Theory 9:577-636.
- Kayne, R. (1991) "Romance Clitics, Verb Movement, and PRO," Linguistic Inquiry 22:647-686.
- Kitagawa, Y. (1986) "Barriers to Government," NELS 16.
- Langacker, R.W. (1969) "On Pronominalization and the Chain of Command," in D.A. Reibel and S.A. Schane, eds., Modern Studies in English, Prentice-Hall.
- Lasnik, H. (1976) "Remarks on Coreference," Linguistic Analysis 2:1-22.
- Lasnik, H. (1992) "Two Notes on Control and Binding," in R.K. Larson, et al., eds., Control and Grammar, Kluwer.
- Lasnik, H. and M. Saito (1991) "On the Subject of Infinitives," CLS.
- Lasnik, H. and M. Saito (1992) Move- α , MIT Press.
- Lebeaux, D. (1983) "A Distributional Difference Between Reciprocals and Reflexives," Linguistic Inquiry 14:723-30.
- Lobeck, A. (1990) "Functional Heads as Proper Governors," NELS 20.
- Mahajan, A. (1990) The A/A-Bar Distinction and Movement Theory, MIT Ph.D. diss.
- Manzini, R. (1983) "On Control and Control Theory," Linguistic Inquiry 14:421-446.
- Martin, R. (1992) "On the Distribution and Case Features of PRO," unpublished UConn ms.
- McCawley, J.D. (1988) Review Article of Knowledge of Language: Its Structure, Origin, and Use, Language 64:355-365.
- Pica, P. (1987) "On the Nature of the Reflexivization Cycle," NELS 17.
- Pollock, J.-Y. (1989) "Verb Movement, Universal Grammar, and the Structure of IP," Linguistic Inquiry 20:365-424.
- Postal, P.M. (1974) On Raising: One Rule of English Grammar and its Theoretical Implications, MIT Press.
- Postal, P.M. and G.K. Pullum (1988) "Expletive Noun Phrases in Subcategorized Positions," Linguistic Inquiry 19:635-70.
- Rizzi, L. (1990) Relativized Minimality MIT Press.
- Rosenbaum (1967) The Grammar of English Predicate Complement Constructions, MIT Press.
- Safir, K. (1985) Syntactic Chains, Cambridge University Press.
- Safir, K. and T. Stowell (1988) "Binominal Each," NELS 18.
- Saito, M. and K. Murasugi (1990) "N'-Deletion in Japanese," UConnWPL 3.
- Stowell, T. (1982) "The Tense of Infinitives," Linguistic Inquiry 13:561-570.
- Takahashi, D. (1992) "Sluicing in Japanese," unpublished UConn ms.
- Terzi, A. PRO in Finite Clauses: A Study of the Inflectional Heads of the Balkan Languages, CUNY Ph.D. diss.
- Watanabe, A. (in preparation) Case Theory and its Interaction with A'-System, MIT Ph.D. diss.
- Zagona, K. (1988) "Proper Government of Antecedentless VP in English and Spanish," Natural Language & Linguistic Theory 6:95-128.